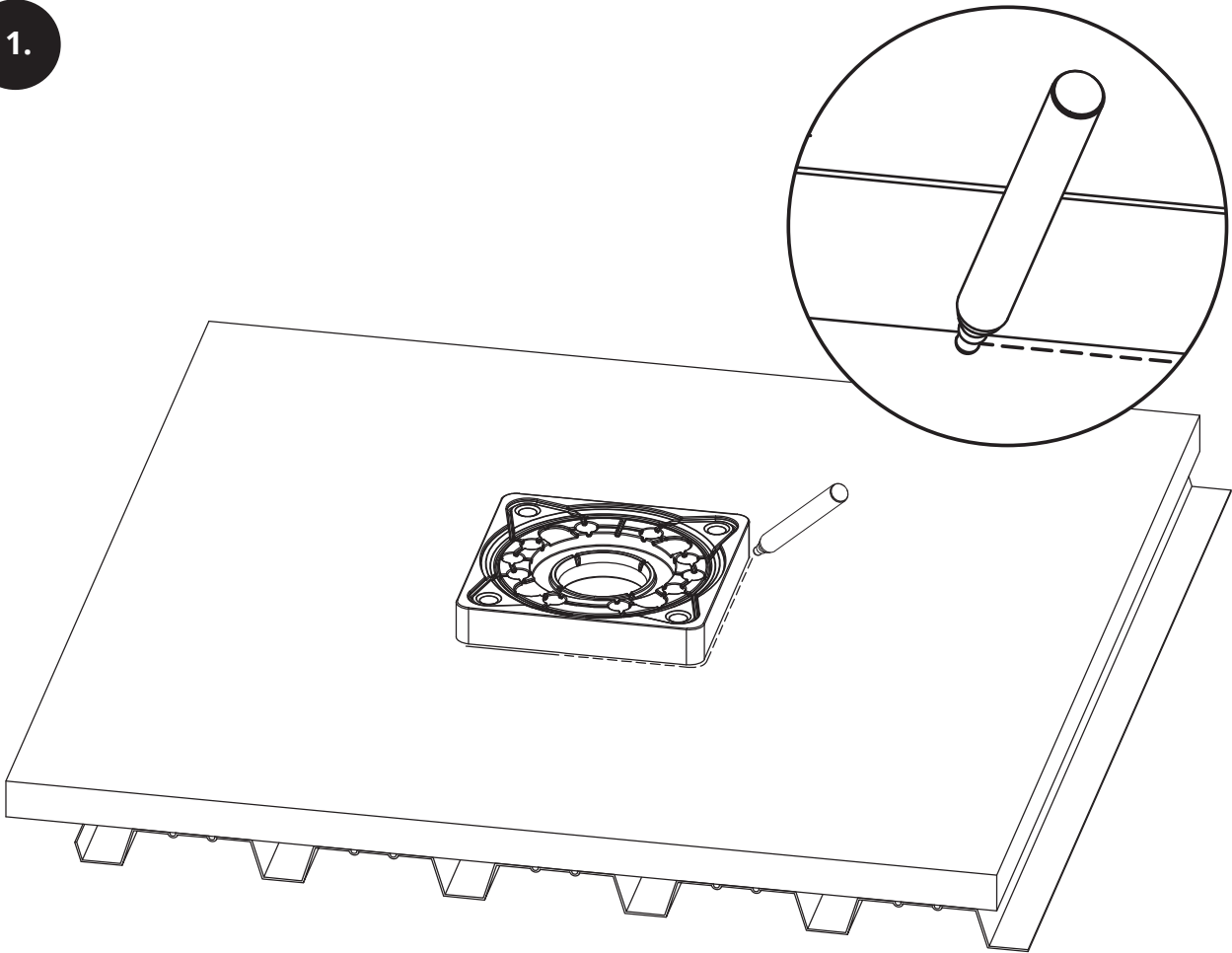


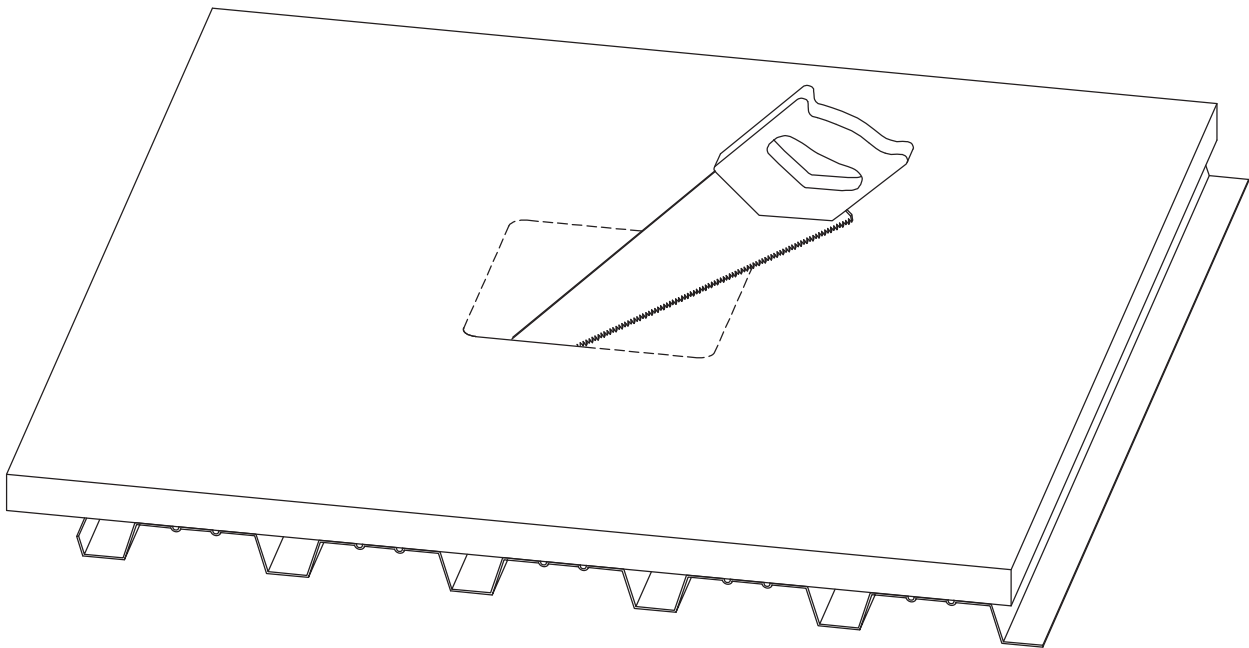
SIPHONIC OUTLETS AND DRAINAGE PIPE SYSTEMS
FOR FLAT AND LOW-GRADIENT ROOFS

PIPELIFE 
always part of your life

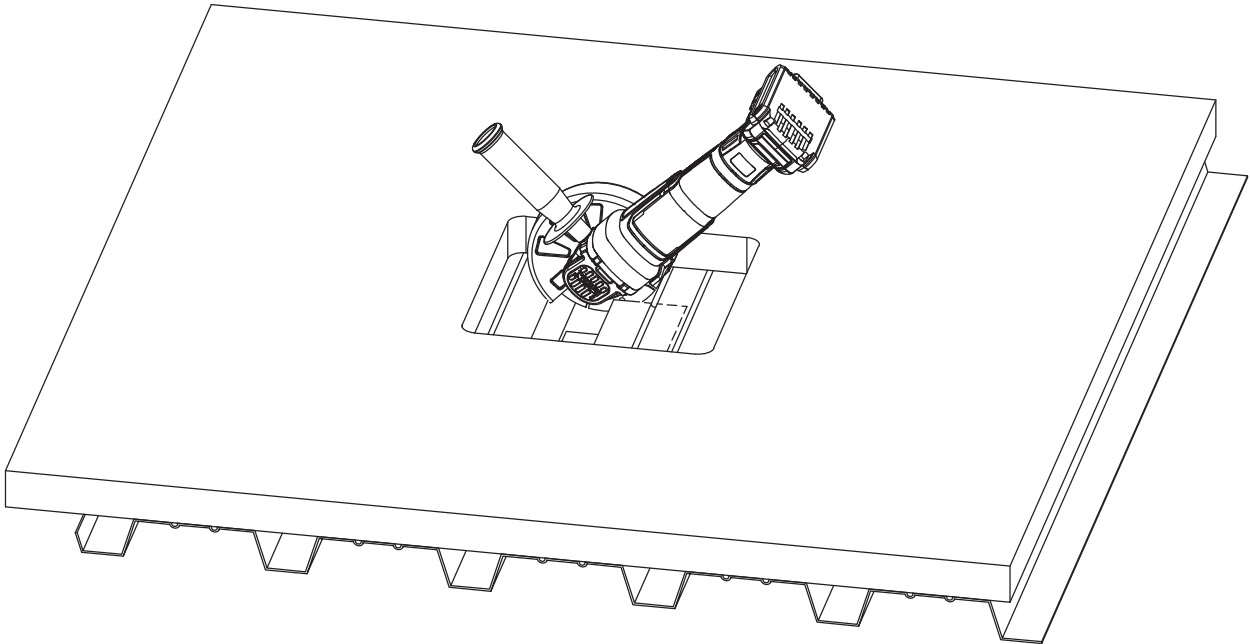
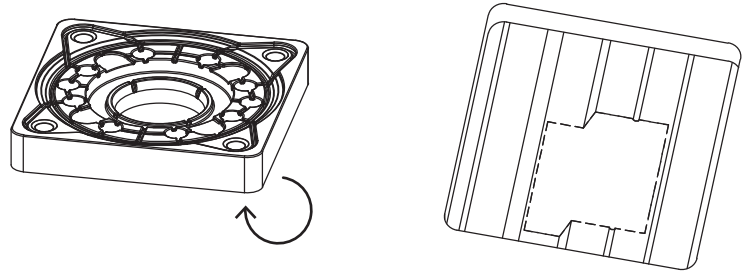
1.



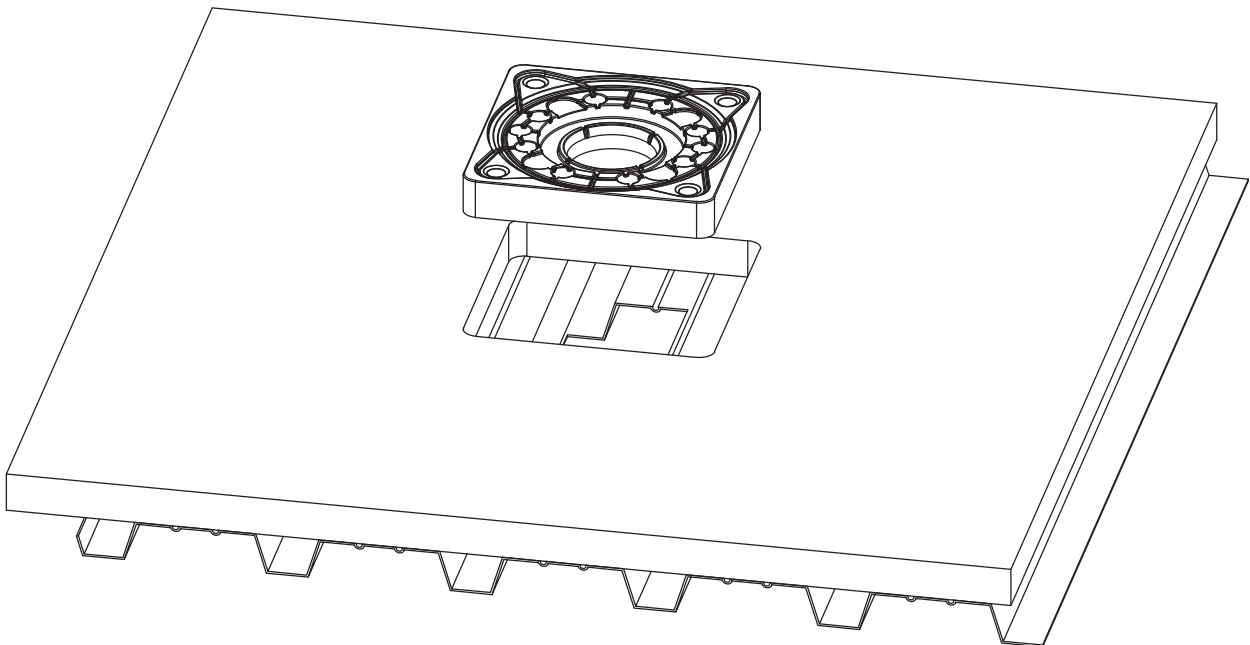
2.



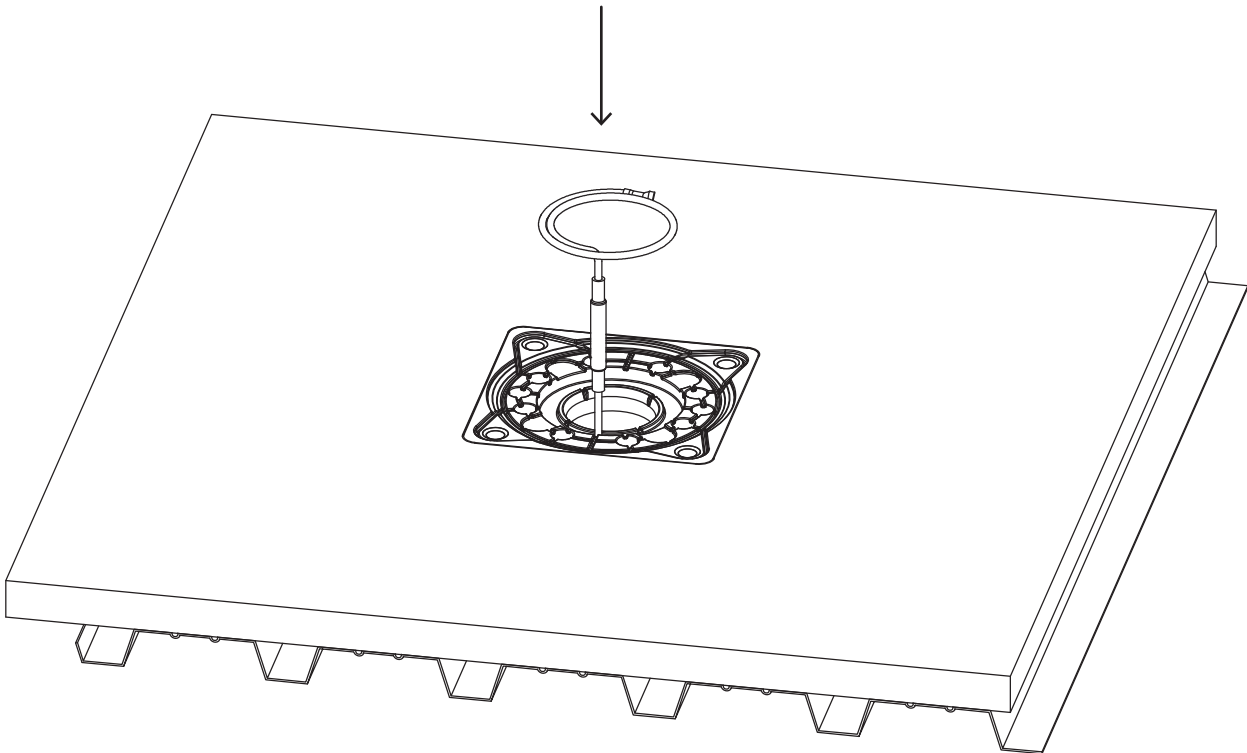
3.



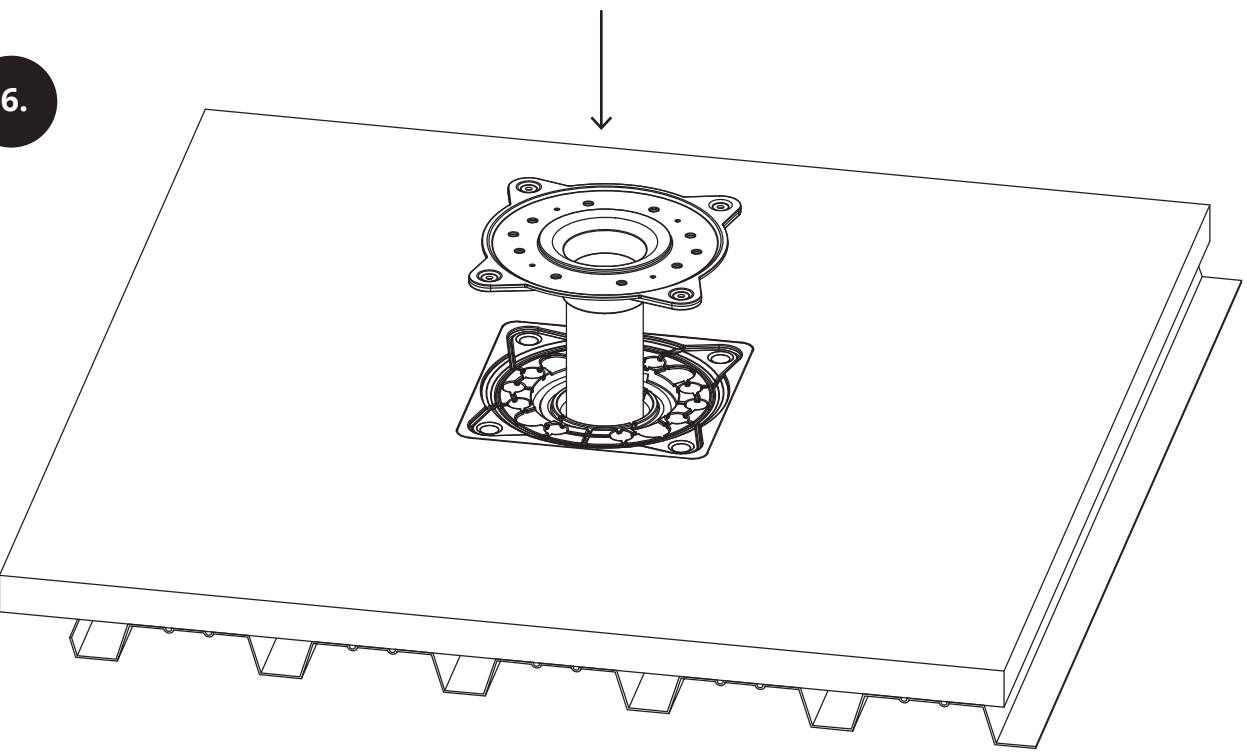
4.



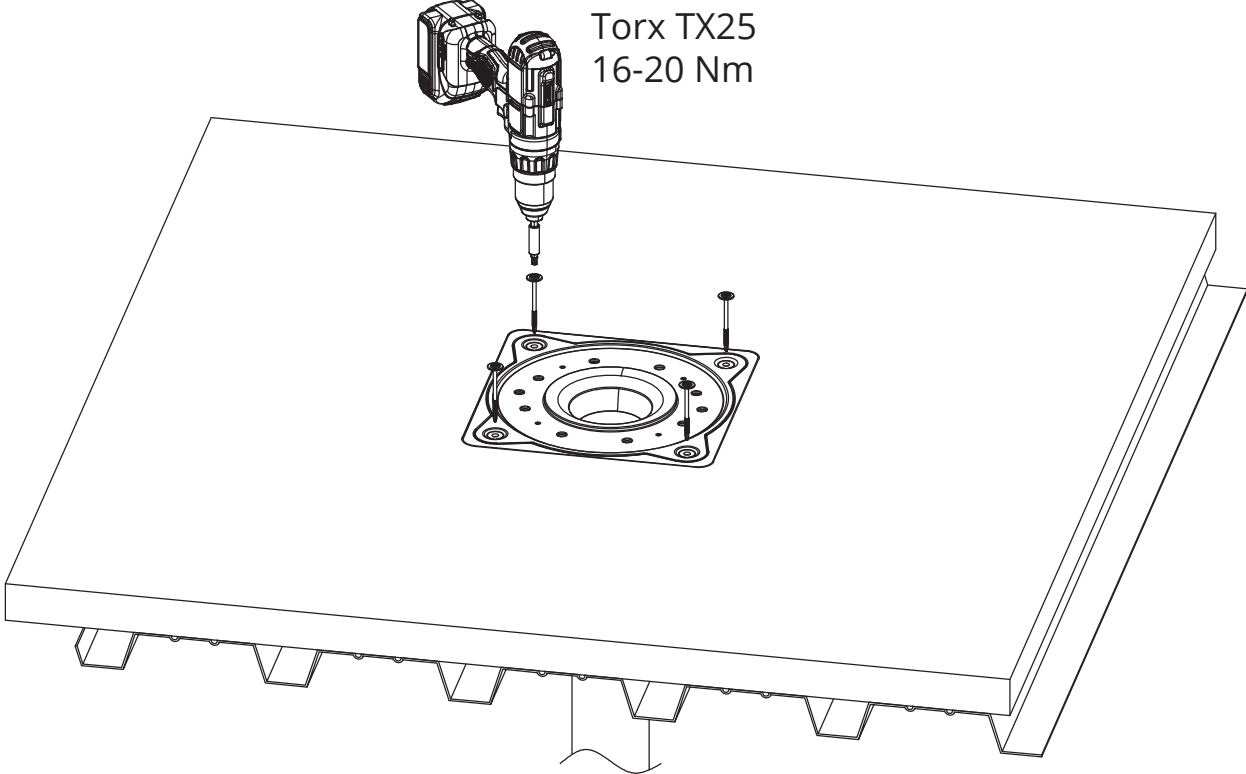
5.



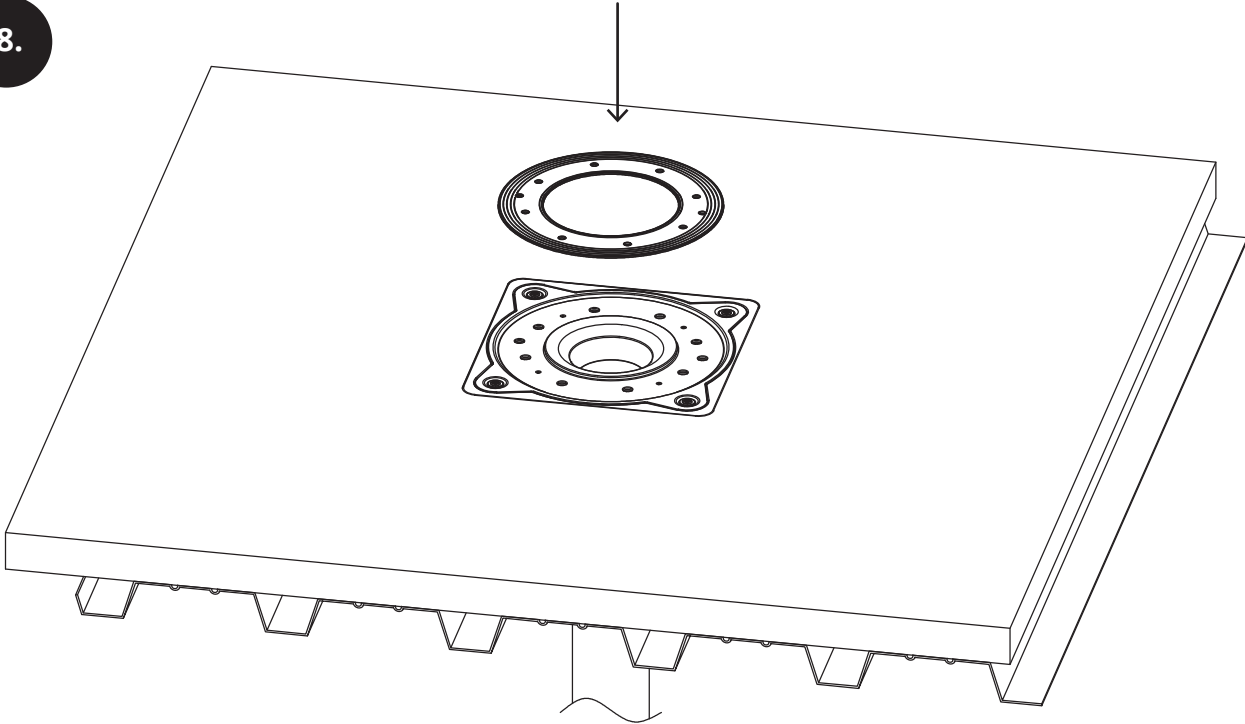
6.



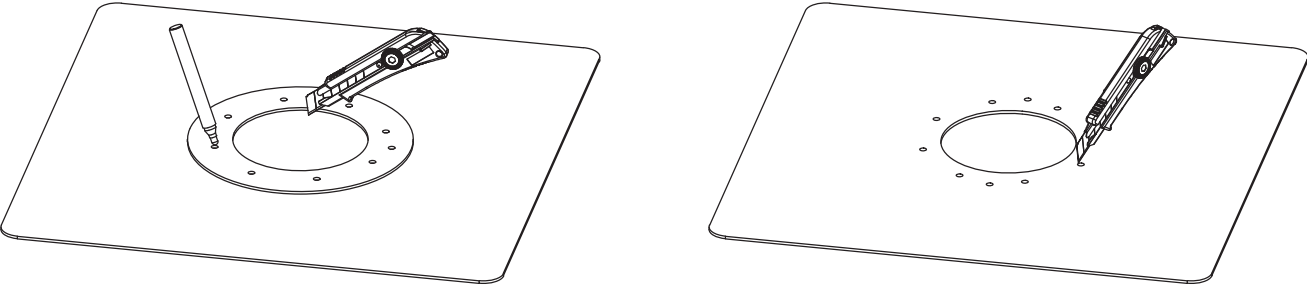
7.



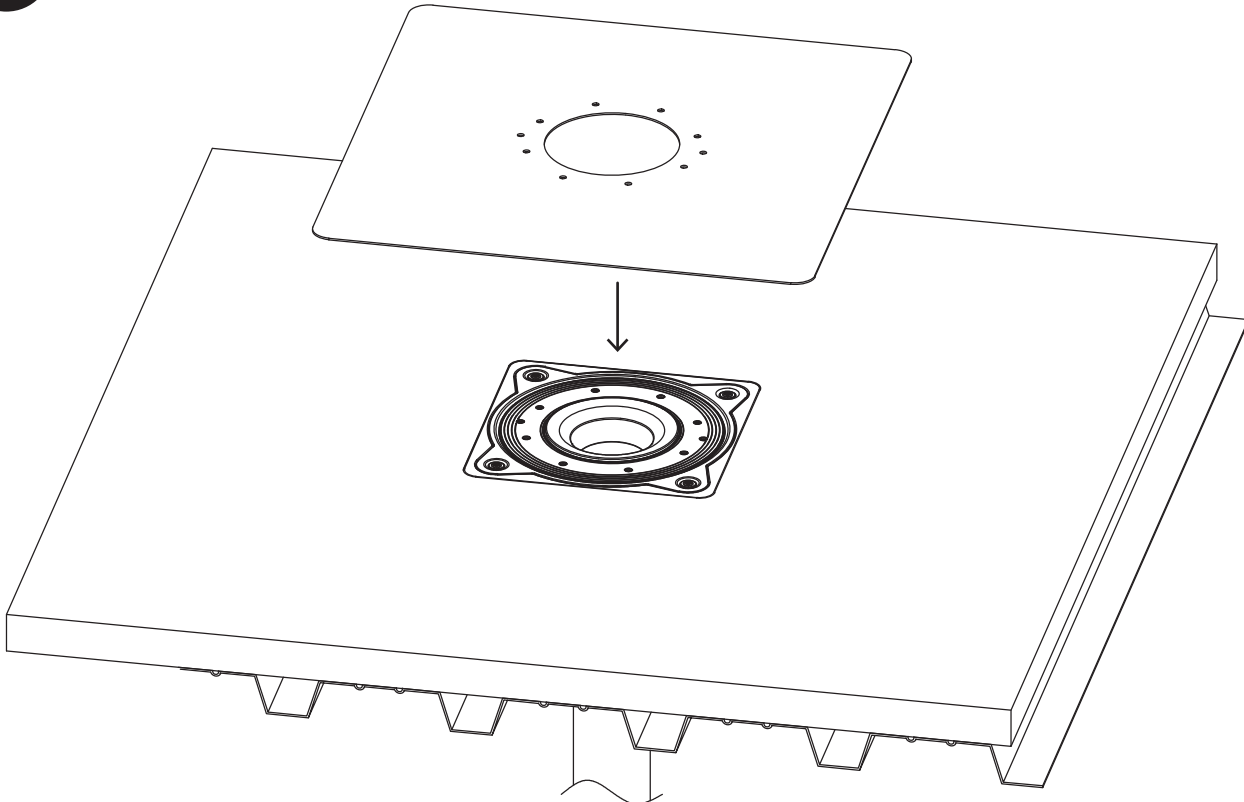
8.



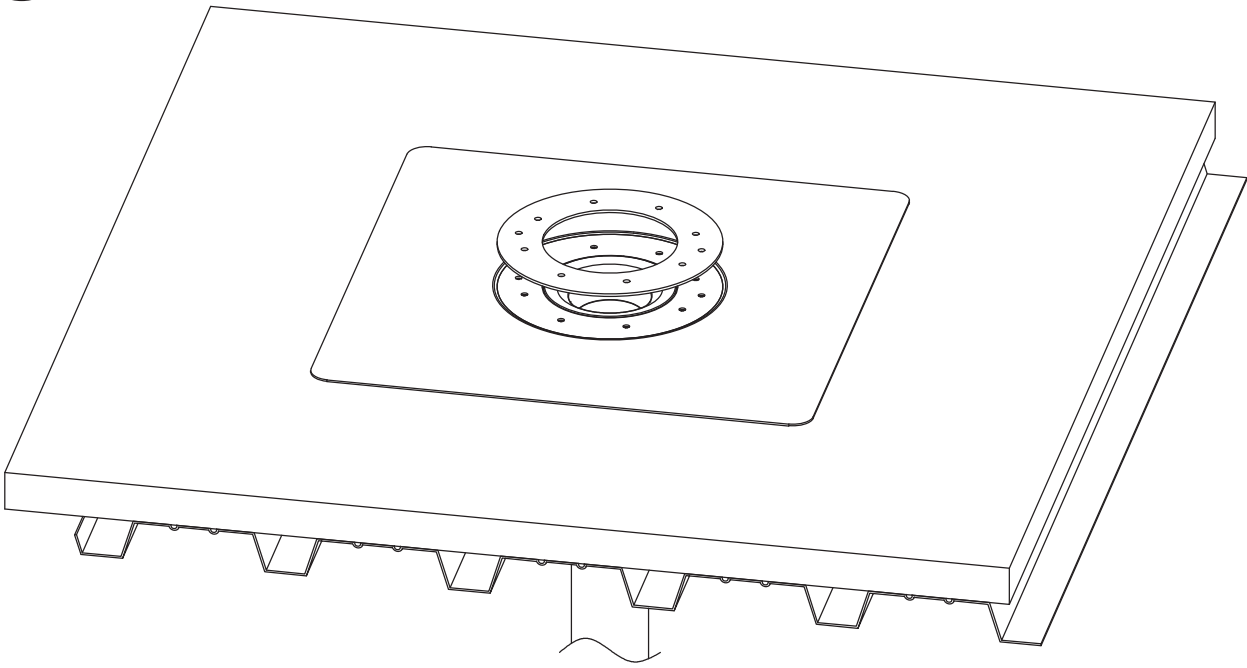
9.



10.

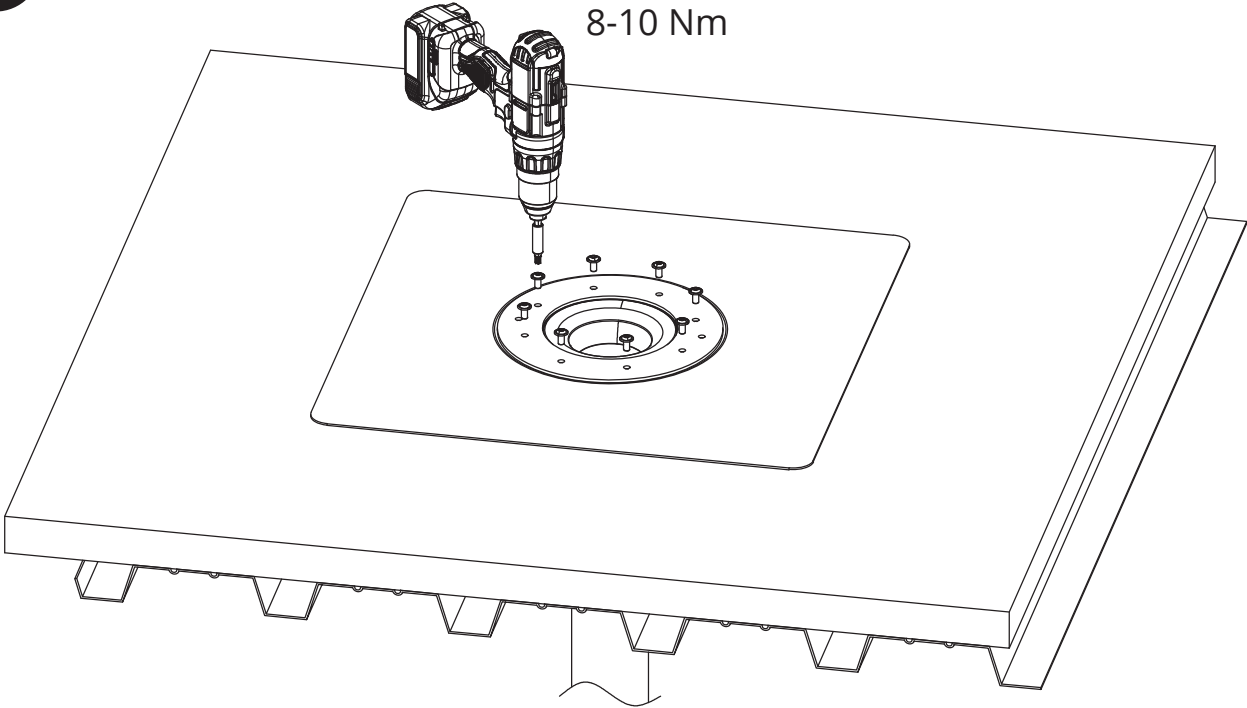


11.

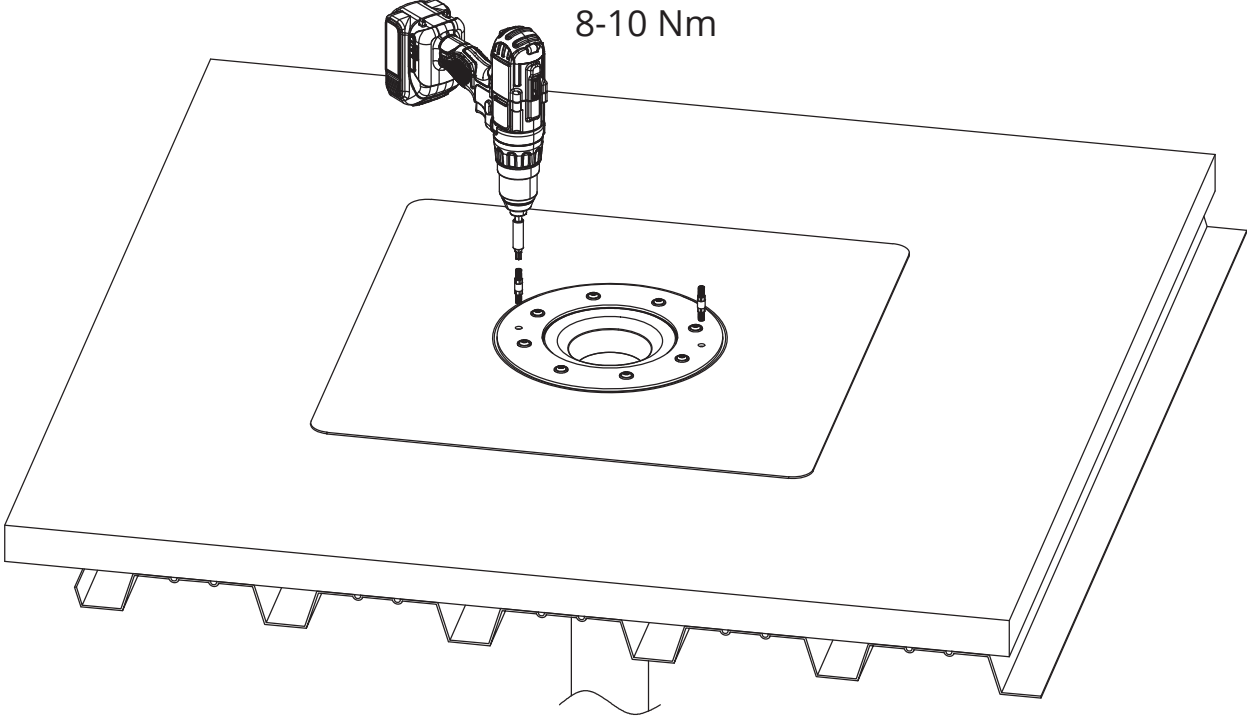


12.

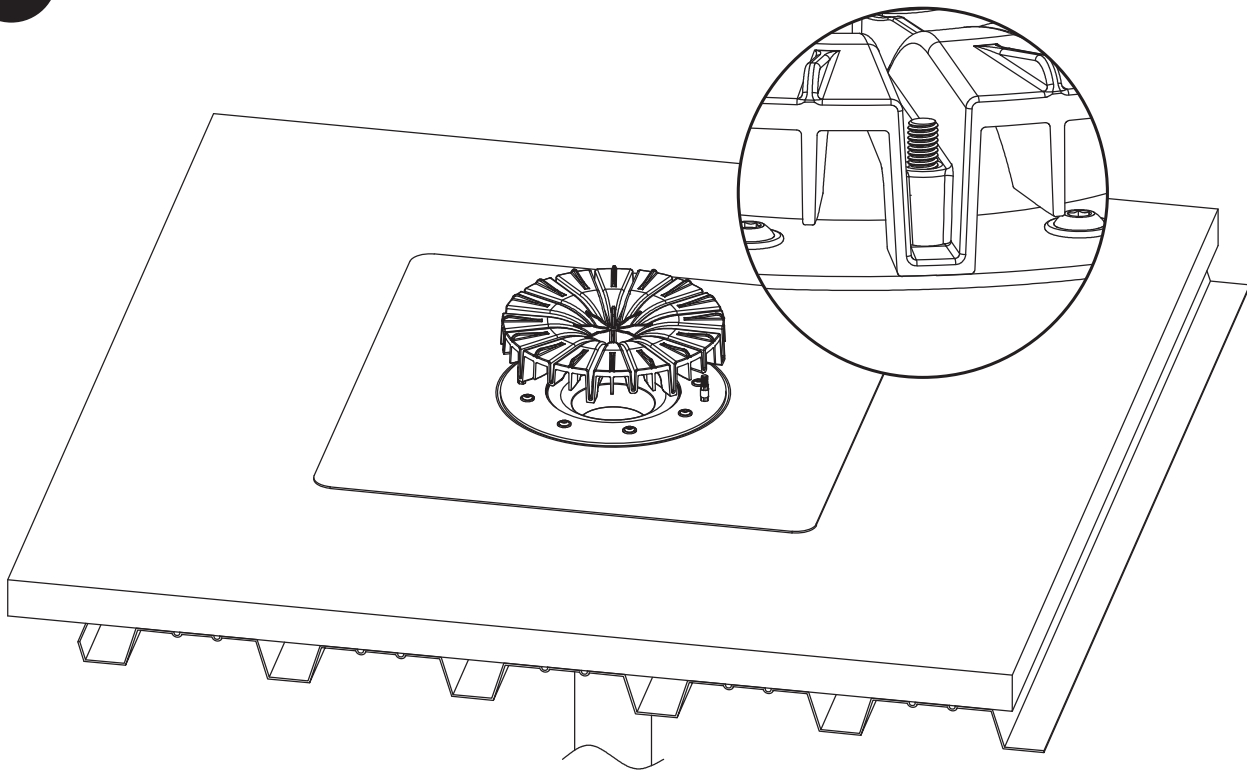
SW4
8-10 Nm



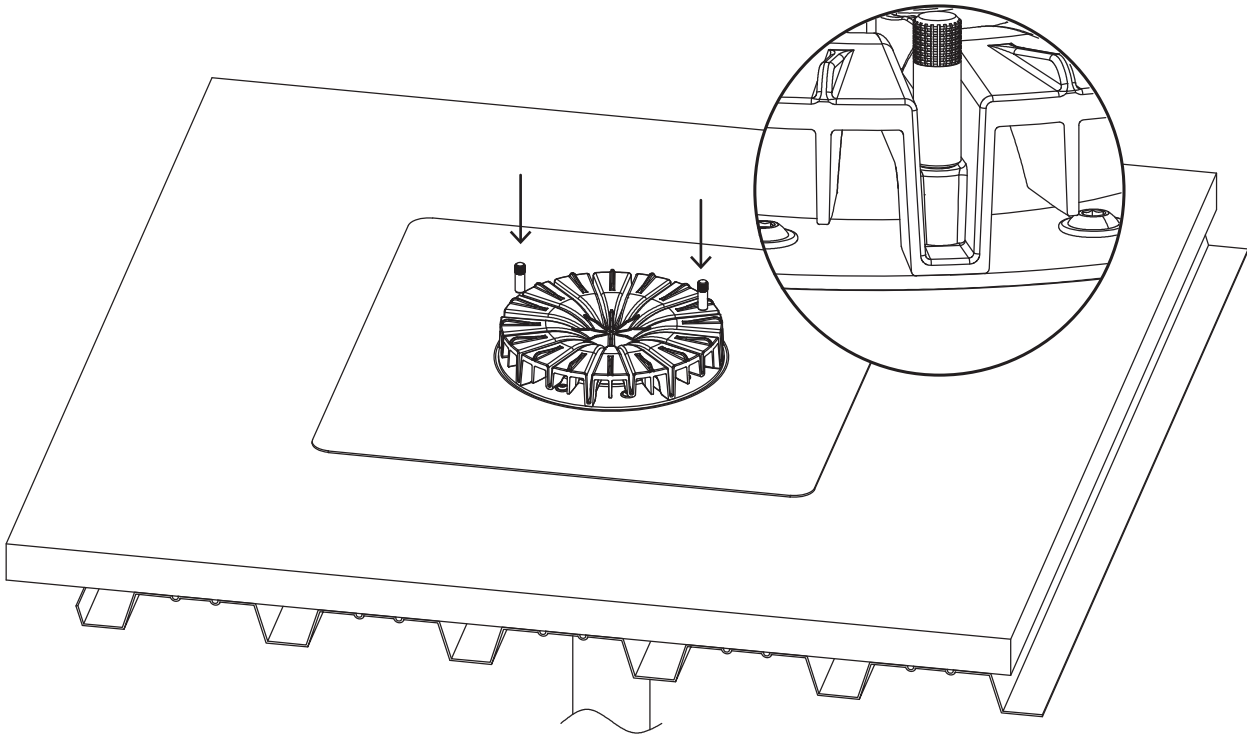
13.



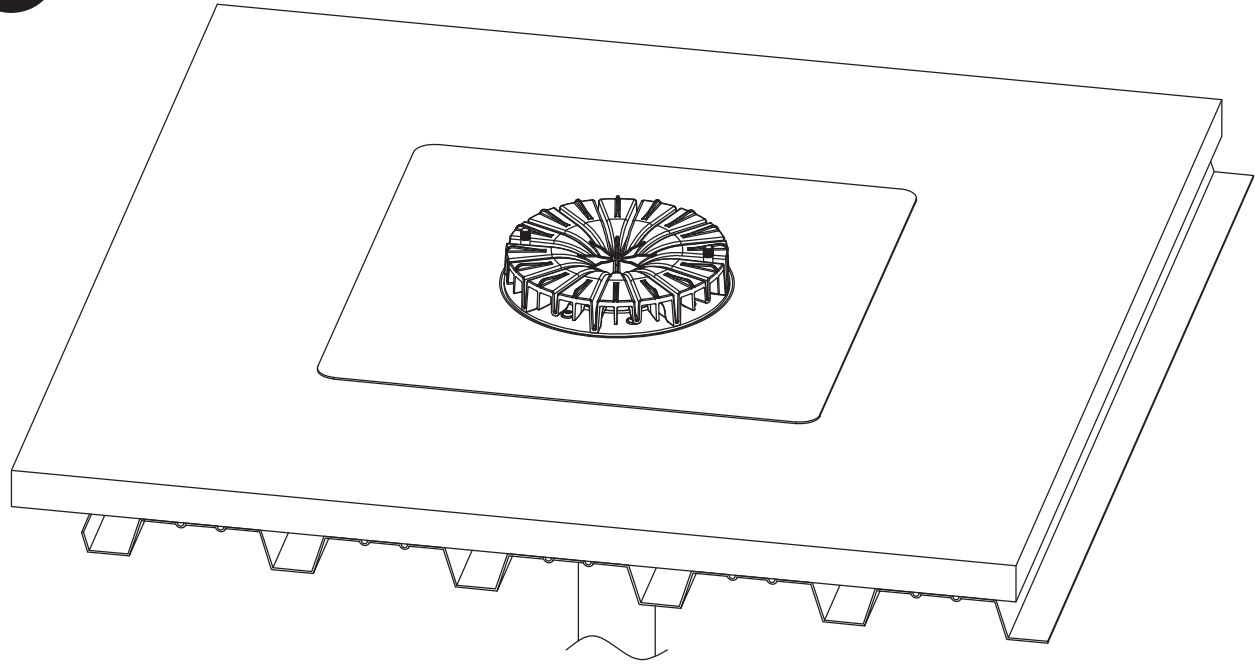
14.



15.



16.



Date issued: December 2023



The contents and information contained in this brochure are intended for general marketing purposes only and shall not be relied upon by any person as complete or accurate. In particular, this brochure cannot replace proper expert advice on the characteristics of the products, their usage, suitability for any intended purpose, or the proper processing method. All contributions and illustrations in this brochure are subject to copyright. Unless explicitly otherwise stated, the repetition of content is not permitted. The use of photocopies from this brochure is for private and non-commercial use only. Any duplication or distribution for professional purposes is strictly forbidden. Non-Liability: PIPELIFE has established this brochure to the best of its knowledge. PIPELIFE cannot accept any liability suffered or incurred by any person resulting from or in connection with any reliance on the content of or the information contained in this brochure. This limitation applies to all loss or damage of any kind, including but not limited to direct or indirect damages, consequential or punitive damages, frustrated expenses, lost profit or loss of business.